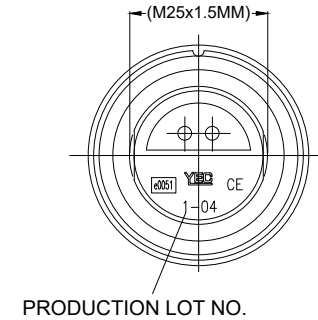
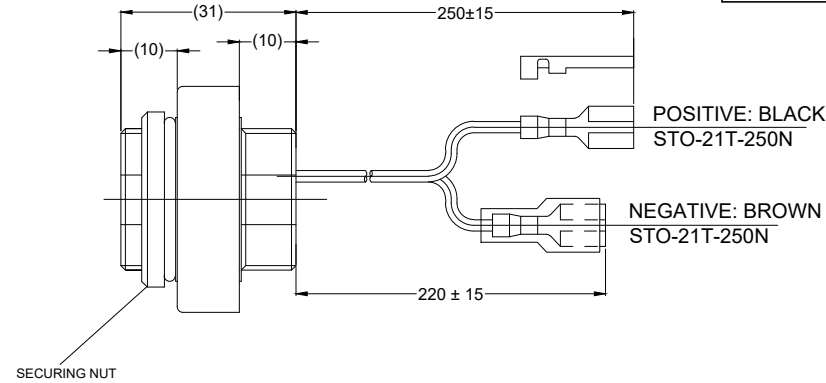
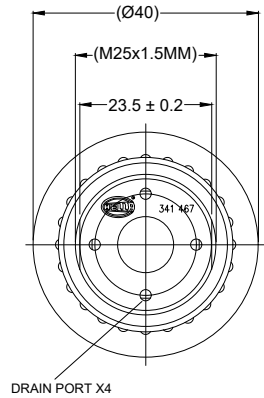


Revision Notes.				
R1 - STANDARDS UPDATED, DIMENSIONS CORRECTED AS PER Q1544.				
APA: K.IIDA - 26/11/13	Drawn: R.BATES	Checked: M.BUTLER	Approved: G.PLITH	Date: 26/11/13
R2 - NOTES UPDATED TO INCLUDE LABEL DETAILS AS PER ECR CR-A274.				
APA: K.IIDA	Drawn: R.BATES	Checked: M.BUTLER	Approved: G.PLITH	Date: 28/08/14
R3 - DIMENSIONS CORRECTED AS PER Q1759. DUST INGRESS FROM F1 TO F2 D0207				
APA: K.IIDA	Drawn: W.BEAZLEY	Checked: M.BUTLER	Approved: D.WALLIN	Date: 23/08/16
R4 - TERMINALS UPDATED FROM 17261-1 TO STO-21T-250N AS PER CR-A661				
APA: K.IIDA-	Drawn: W.BEAZLEY	Checked: W.SINDEN	Approved: D.WALLIN	Date: 22/03/19



#### SPECIFICATION

1. RATED VOLTAGE: 12/24 VOLTS DIRECT CURRENT (WORKING VOLTAGE RANGE 9 THRU 32 VOLTS).
2. RATED CURRENT: 20 MILLIAMPERES OR LESS.
3. SOUND PRESSURE: 85±5 DECIBELS AT TEST VOLTAGES OF 14VOLTS, 90±5 DECIBELS AT TEST VOLTAGES OF 28VOLTS.
4. FREQUENCY: 3100±400 Hz AT TEST VOLTAGE OF 14/28VOLTS.
5. INTERMITTENCE: 80±10 CYCLES PER MINUTE AT TEST VOLTAGE OF 14/28VOLTS.
6. DURABILITY: CONSECUTIVE 100 HOURS AT TEST VOLTAGE OF 14/28VOLTS.
7. SURGE VOLTAGE: TO BE FREE FROM ABNORMALITY WHEN APPLYING 80VOLTS - 100ms PULSE AT INTERVALS OF 5 SECONDS FOR ONE HOUR AT A TEST VOLTAGE OF 14/28VOLTS.
8. INVERSE VOLTAGES: 200 VOLTS.
9. RANGE OF OPERATING TEMP: -20 THRU 60°C.
10. WATER RESISTANCE: S1 JIS D0203.
11. VIBRATION RESISTANCE: 10G SPECIFIED FOR SAE-J994.
12. DUST INGRESS: F2, JIS D0207.
13. CORROSION TEST: 6.5 SPECIFIED FOR SAE-J994.

#### NOTES:

1. FOR PRODUCT LABEL REFER TO LATEST REVISION OF DRAWING BE-002833-XX-14.
2. FOR GIFTBOX LABEL REFER TO LATEST REVISION OF DRAWING BE-002834-XX-14.
3. "R TRIANGLE" INDICATES CHANGES MADE TO REVISION OF DRAWING AS IDENTIFIED IN NOTES.

#### PROPRIETARY NOTICE

THIS DESIGN AND TECHNICAL INFORMATION APPEARING ON THIS DRAWING IS THE PROPERTY OF BRIGADE ELECTRONICS, AND IS DISCLOSED IN CONFIDENCE. IT IS NOT TO BE COPIED, REPRODUCED, REVEALED TO OR EXPROPRIATED BY OTHERS, EITHER IN WHOLE OR IN PART WITHOUT THE EXPRESS WRITTEN CONSENT OF BRIGADE ELECTRONICS.

**BRIGADE®**  
www.brigade-electronics.com

Assembly Pl Approval -	Approved by D.KERAI	Checked by D.KERAI	Drawn by D.KERAI
Angle of Projection 	Units mm	Scale N/A	Released 25/04/06
Status RELEASED	Assembly Ref -		
Part No #0850	VRA-320 BE-000393-04-06		